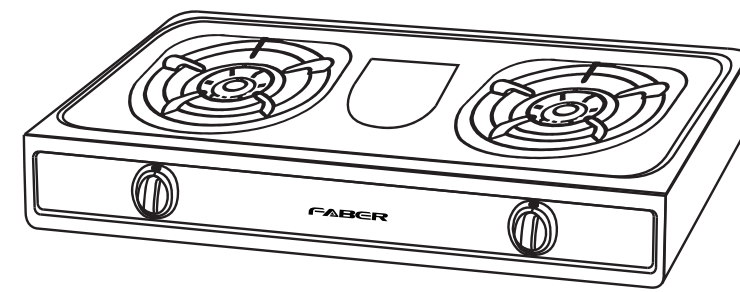


FABER

GAS STOVE
FS CT2101
FS SS2100



INSTRUCTION MANUAL

Before operating this appliance, please read these instructions completely.



Dibuat untuk dan diedarkan oleh:
 FIMACO SDN. BHD.
 5-2, Wisma Flamma,
 No.20, Jalan TANGGA,
 Bandar Manjalara,
 52200 Kuala Lumpur, Malaysia
 CUSTOMER CARE CENTRE: 0362798888

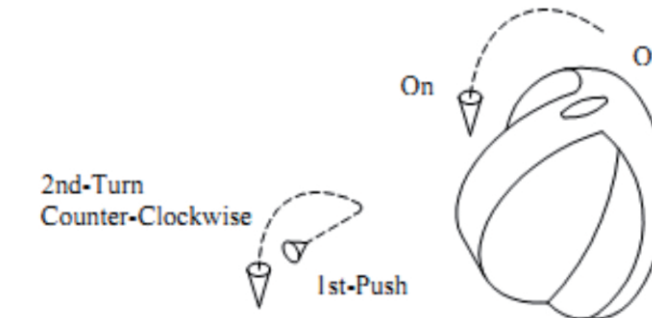


GAS STOVE

- This gas cooker uses Liquefied Petroleum Gas (LPG). Make sure you have the correct type of gas supply.
- Do not use a gas cooker near to the sink, bath tub or shower etc., whereby it is easily exposed to water.
- Before using for the first time, remove any protective films or stickers from the gas cooker.
- Use only Low Pressure Regulator for the gas cooker.



How to Operate Gas Cooker



Turning On the Gas Cooker

- Turn on the stopcock of the gas cylinder. Push the ignition knob and turn it counter-clockwise until a click is heard. Make sure the burner has been lit up.
- When the unit has been left unused for a considerable period, it sometimes may so happen that the burner cannot be ignited. This is because air has been trapped in the rubber hose. Repeat turning the ignition knob a few times until gas comes through.

Re-lighting the Burner

- When using the gas cooker again immediately after having once turned off, wait for about ten seconds before re-lighting it.

3

Turning Off the Gas Cooker

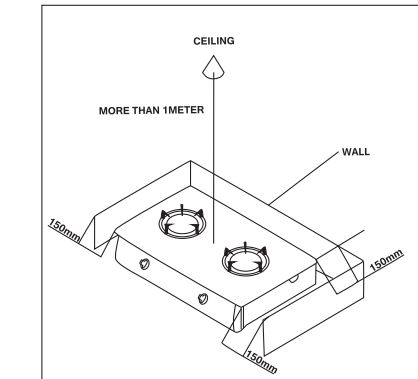
- Turn the ignition knob to its original position without pressing it. Always remember to turn off the stopcock of the cylinder completely after use.

Flame Controller

- Push and turn the knob counter-clockwise to ON position. Control the flame and position it according to you required cooking.

Position the Appliance

- Place the unit away from wall and ceiling at distance as shown in the figure below.



Cleaning and Maintenance

- The electrical ignition will not function if burner is wet. Be careful not to spill water, soup or other liquid onto the burner.
- Check the gas hose regularly for crack or leakage.
- Make sure there is no inflammable liquid or particles near the gas cooker.
- Do not apply excessive pressure to the burner control knobs.
- Wipe the top plate and body with a dry cloth. Clean hard-to-reach area with soapy water and then dry thoroughly with a dry cloth.
- It is normal to have burn mark on the burner head after using for some time.

4

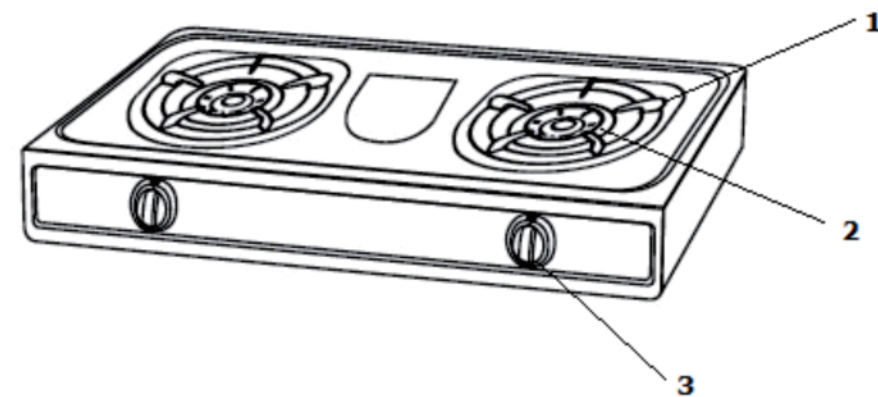
CONTENT

Title	Page
Parts Introduction	2
Technical Specifications	2
Before Using	2
How to Operate Gas Cooker	3
Cleaning and Maintenance	4
Troubleshooting	5
Important Guidelines	5

Thank you for choosing FABER appliances. May you have an enjoyable experience using our products.

1

Parts Introduction



1. Trivet
2. Burner
3. Knob

Technical Specifications

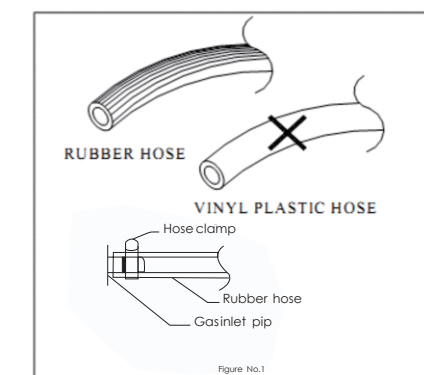
MODEL NO.:	FS CT2101 FS SS2100	
GAS TYPE:	Liquefied Petroleum Gas(LPG)	
GAS PRESSURE:	3000Pa	
TOTAL HEAT INPUT (Q _{in}):	6.4kW (465g/h)	
BURNER:	2 Burner	
BURNER SIZE:	LEFT: 100MM	RIGHT: 100MM
GAS CONSUMPTION (kW):	LEFT: 3.2kW (233g/h)	RIGHT: 3.2kW (233g/h)
MEASUREMENT (mm):	710x370x85	
WEIGHT (kg):	3.30	

*Specifications are subject to change without prior notice with the development of technology.

Before Using

- Please read these instruction carefully before using and keep them for future reference.
- Please use approved gas hose only (Figure.1)

2



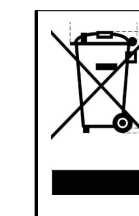
Troubleshooting

PROBLEMS	OBSERVATION	PROBLEM - SOLVING
Ignition Failed	a. The gas valve is not opened.	Open the gas valve and supply the gas.
	b. The rubber hose is bent.	Straighten it or replace with a new hose.
	c. No gas in the cylinder.	Replace the gas cylinder
	d. The nozzle or the burner is blocked.	Pass through the blockage with a wire.
	e. There is air in the hose.	Open the nozzle, and let the air escape.
	f. The electronic switch turns too fast.	Let the knob remains in the position for a second, and then turn it.
Other Problems	a. There is gas leakage from the gas pipe.	Replace the seal ring.
	b. The rubber hose is broken.	Replace the rubber hose.
	c. There is no flame.	Ignite again.
Abnormal Combustion	a. The pressure is low or too high.	Adjust the valve or change the gas cylinder.

5

Important Guidelines

- This gas cooker is intended for indoor, non-commercial, non-industrial and household use only. Do not use for outdoor purposes.
- The appliance is strictly for cooking only.
- Avoid putting any inflammable materials over the burners.
- Use it in a well-ventilated room but not facing strong wind.
- This appliance must be installed in accordance with the regulations in force and only used in a well ventilated space. Read the instructions before installing or using this appliance.
- Do not leave the appliance and the stopcock of the gas cylinder on after use.
- If abnormal combustion is observed while in use, turn off the appliance and the stopcock of the gas cylinder immediately. Examine the appliance by referring to the troubleshooting section.
- Avoid touching the burner, trivet, and top plate while in use or immediately after use.
- If gas leakage happens, turn off the stopcock of the gas cylinder. Open all the windows and call for service repair. Do not switch on any electrical appliance or ignite inflammable items.
- Never operate unit unless it is fully and securely assembled.
- Always place the product on flat surfaces when operating.
- Do not move the product when it is operating.
- This appliance is not intended to be used by personnel (including children) with reduced physical, sensory or mental capabilities, or lack of experience and knowledge, unless they have been given supervision or instructions concerning the use of the appliance by the authorities who are responsible for their safety.
- Close supervision is necessary when any appliance is used by or near children.
- Do not operate any appliance if it has been damaged in any manner. Repair and services should always be carried out by FABER Customer Care/ Service Centre.



This marking indicates that this product should not be disposed with other household wastes throughout the nation. To prevent possible harm to the environment or human health from uncontrolled waste disposal, recycle it responsibly to promote the sustainable reuse of material resources. To return your used device, please use the return and collection systems or contact the retailer where the product was purchased. They can take this product for environmental safe recycling.

6