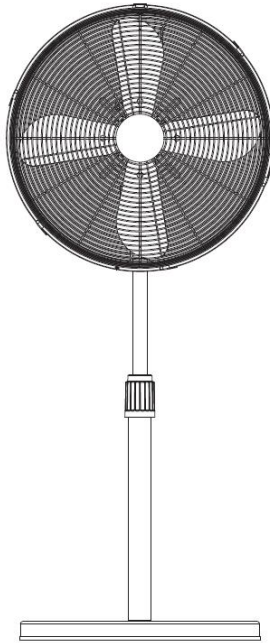


FABER

METAL STAND FAN
FSF CLASSICO 169



VOLTAGE : 220-240V FREQUENCY : 50Hz POWER RATED: 50W

INSTRUCTION MANUAL

PLEASE READ THIS INSTRUCTIONS MANUAL CAREFULLY BEFORE USING THIS PRODUCT

CONTENTS

Title	Page No.
Safety Precautions	2
Technical Specifications	3
Parts Identification	4
Operating Instructions	5
Cleaning and Maintenance	6

SAFETY PRECAUTIONS

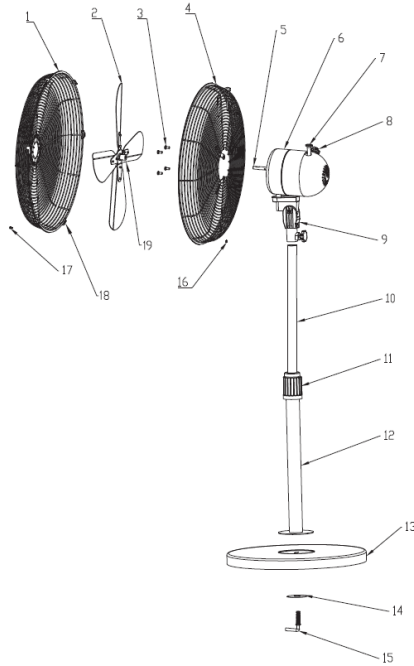
1. Ensure that the voltage range shown on the appliance rating label corresponds to the main power supply's voltage.
2. This appliance is not intended for use by persons (including children) with reduced physical sensory or mental capabilities, or lack of experience and knowledge unless they have been given supervision or instruction concerning the use of the appliance by a person responsible for their safety. Children should be supervised to ensure that they do not play with the appliance.
3. This appliance is suitable for normal household use only and not for commercial use.
4. This product must not be left unattended while it is connected to the main supply.
5. Use the appliance only on a level working surface.
6. Do not operate the appliance with a damaged power cord or power plug. Return the appliance for examination, adjustments, or repair.
7. The use of extra attachments not recommended by the manufacturer may cause fire, electrical shock, or injury.
8. To disconnect the appliance, grip the power plug and pull it from the power outlet. Never yank on the power cord.
9. Only authorized service personnel should be allowed to undertake repairs on electrical appliances. Repairs undertaken by unauthorized persons may result in damage to the appliance and/or accidents or injury to the user.
10. If the power supply cord is damaged, have it replaced by the manufacturer its service agent, or a similarly qualified person to avoid a hazard.

11. Children less than 12 years of age shall be kept away unless continuously supervised.
12. The fan should not be placed in a damp place or where humidity is high (such as in a bathroom).
13. Do not insert any object into any opening of the appliance as it may cause electric shock, injury, or damage to the appliance.
14. Use original parts only, non-original parts may be dangerous and damage the appliance, and will also void the warranty coverage.
15. Unplug the unit when not in use and whenever you clean or move the unit.

TECHNICAL SPECIFICATIONS

Model	FSF CLASSICO 169
Power Supply	220-240V~ 50Hz
Power Consumption	50W
Product Size	16" (400MM)

PARTS IDENTIFICATION



1.	Front Grill	11.	Height Adjust Knob
2.	Fan Blade	12.	Tube
3.	Rear Grill Locking Screws	13.	Base
4.	Rear Grill	14.	Washer
5.	Motor Shaft	15.	L-Screw
6.	Motor	16.	Grill ring Locking Screw washer
7.	Oscillation Knob	17.	Grill ring Locking Screw
8.	Control Switch	18.	Grill Clips
9.	Tube Securing Screw	19.	Blade Fastening Screw
10.	Extension Tube		

OPERATING INSTRUCTIONS

Assembly Instructions

1. Loosen the L-screw from the bottom of the tube.
2. Insert the tube onto the base firmly. Reverse the base and secure the tube and base with the washer and tighten with the L-screw. Ensure the tube is completely interlocked with the base.
3. Insert the fan body to the tube and lock it into position by turning the tube securing screw clockwise. To increase the height of the fan, simply loosen the height adjust knob on the tube to extend the extension tube to the required height before tightening the height adjust knob.
4. Attach the rear grill to the front side of the motor and fasten it with the 4 rear grill locking screws until the rear grill is firmly in place.
5. Mount the fan blade onto the motor shaft and tightening the blade fastening screw.
6. Align the logo on the grill hub so it is horizontal and parallel to the floor. Then secure the front and rear grill together by snapping the grill clips into place. Lastly, tighten the grill locking screw at the bottom of the rear grill.

How To Use

1. Insert plug into a power supply socket and switch on the power.
2. Turn the control switch to select speeds: "1" = Low, "2" = Medium or "3" = High.
3. To turn off the fan, simply press the "O"=OFF control button.
4. To tilt the fan (only when the fan is off and fan blade stopped), hold the fan body firmly with one hand and move the fan guard gently upwards or downwards with the other hand.
5. The oscillation knob is positioned at the top of the rear motor cover. Press the knob down to make the fan oscillate and pull it up to stop oscillation.

6. To adjust the height of fan (only when the fan is off and fan blade stopped), hold the fan body firmly with one hand and loosen the height adjust knob with the other hand, then push up or pull down the extension tube to adjust the height of fan before tightening the height adjust knob.

CLEANING & MAINTENANCE

- Disconnect the power cord from the mains before cleaning.
- Carefully remove the guard and blades. Avoid dropping the blades.
- Clean off oil stains using a soft cloth with light soap.
- Wipe and polish with a dry cloth.
- Never use polish or corrosive liquids that could damage the paint or metal.
- Reassemble the blades and securely lock the guard before using the fan again.



This marking indicates that this product should not be disposed with other household wastes throughout the nation. To prevent possible harm to the environment or human health from uncontrolled waste disposal, recycle it responsibly to promote the sustainable reuse of material resources. To return your used device, please use the return and collection systems or contact the retailer where the product was purchased. They can take this product for environmental safe recycling.



Dibuat untuk dan diedarkan oleh:
FIMACO SDN BHD
8-2, WISMA FIAMMA,
No.20, Jalan 7A/62A,
Bandar Manjalara, 52200 Kuala Lumpur, Malaysia.
CUSTOMER CARE CENTRE: +603 6279 8888

