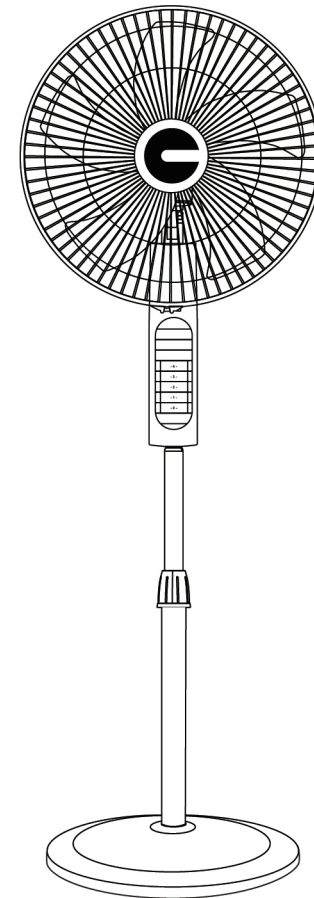


# FABER

## STAND FAN

FSF VIENTO 1808BK

FSF VIENTO 2008BK



STAND FAN

### Correct Disposal of this product



This marking indicates that this product should not be disposed with other household wastes throughout the EU. To prevent possible harm to the environment or human health from uncontrolled waste disposal, recycle it responsibly to promote the sustainable reuse of material resources. To return your used device, please use the return and collection systems or contact the retailer where the product was purchased, They can take this product for environmental safe recycling.



Dibuat untuk dan diedarkan oleh :  
FIMACO SDN BHD  
8-2,WISMA FIAMMA  
No.20,Jalan 7A/62A,  
Bandar Manjalara, 52200 Kuala Lumpur, Malaysia.  
CUSTOMER CARE CENTRE :+603 6279 8888

CE CB

VOLTAGE : 220~240V FREQUENCY : 50/60Hz

# INSTRUCTIONS MANUAL

PLEASE READ THIS INSTRUCTIONS MANUAL CAREFULLY BEFORE USING THIS PRODUCT

**BEFORE OPERATING THIS PRODUCT, READ, UNDERSTAND, AND FOLLOW THESE INSTRUCTIONS.**

**> BEFORE FIRST USE**

Read and follow all the instructions in this "Use And Care" manual even if you feel you are familiar with the products, and find a place to keep it handy for future reference. Your attention is drawn particularly to the sections concerning "IMPORTANT SAFEGUARDS".

**> IMPORTANT SAFEGUARDS**

**PLEASE READ ALL INSTRUCTIONS CAREFULLY BEFORE USING THE PRODUCT.**

When using the electrical appliance, the following basic safety precautions should always be followed.

**WARNING- to reduce the risk of fire, electric shock or injury to persons or property:**

- > Always operate the product from a power source of the same voltage, frequency and rating as indicated on the product identification plate.
- > Do not use this fan with any solid-state speed control device to reduce the risk of electric shock.
- > The appliance is not intended for use by persons (including children) with reduced physical, sensory, mental capabilities or lack of experience and knowledge, unless they have been given supervision or instructions concerning use of the appliance by a person responsible by their safety.
- > Children should be supervised to ensure that they do not play with the appliance.
- > Do not leave the fan running unattended.
- > Do not operate the product if it is dropped, damage or showing signs of product malfunction. Do not operate the product with a damaged plug or cord. Return the complete product to the place of purchase for inspection, refund or replacement.
- > If it is not working properly, contact a qualified electrician or service center for examination and repair, never try to dismantle it by yourself.
- > Do not immerse or expose the product or flexible cord to rain, moisture or any other liquid.
- > This product should not be used in the immediate vicinity of water, such as bathtubs, washbowls, swimming pools etc. where the likelihood of immersion or splashing could occur.
- > Never install the unit where it could be subject to:
  - Heat sources such as radiators, heat registers, stoves or other products that produce heat
  - Direct sunlight
  - Mechanical vibration or shock
  - Excessive dust
  - Lack of ventilation, such as a cabinet or bookcase
  - Uneven surface
- > Switch off and unplug from outlet when the product is not in use, before assembling or disassembling parts and before cleaning. Fully assemble the fan before switching on.
- > Avoid contact with moving parts. Do not insert any body parts (e.g. finger) or objects through the grill when the fan is operating.
- > Do not cover the grille, or operate in close proximity to curtains, etc.
- > This product is intended for normal domestic/household use only.
- > Always disconnect the fan when moving it from one location to another.

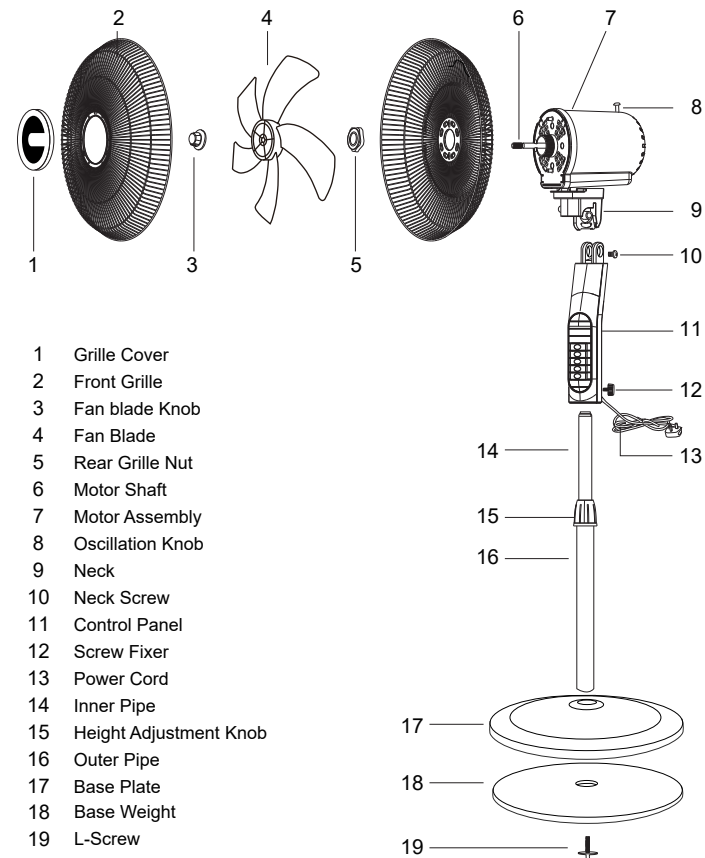
- > The use of attachments or accessories not recommended or sold by the product distributor may cause personal or property hazards or injuries.
- > Be sure fan is on a stable surface when operating to avoid overturning.
- > Do not immerse in water.
- > If the supply cord is damaged, it must be replaced by the manufacturer or its service agent, or similarly qualified person, in order to avoid a hazard.

**READ AND SAVE THESE INSTRUCTIONS FOR FUTURE REFERENCE**

**PERFORMANCES**

Model	Fan Size	Size	Rated Voltage	Rated Frequency	Rated Power
	(CM)	(INCH)	(V)	(Hz)	(W)
FSF VIENTO 1808BK	45	18"	220-240	50/60	60
FSF VIENTO 2008BK	50	20"	220-240	50/60	75

**> FEATURES OF THIS PRODUCT**



## > PRODUCT ASSEMBLY

### > ASSEMBLE OF BASE

> Set the column in place on the base and secure it using the "L" screw with washer while also engaging the counterweight.

> Make sure column and base and counterweight are firmly coupled.

> Loosen the Height Adjustment Collar on top of the Inner Tube. Pull the Inner Tube out from the Outer Tube to adjust the tube to the desired height and tighten the collar.

> If necessary, slightly loosen the Set Screw by turning it anticlockwise. Slide the Switch Box down over the Inner Tube and tighten the Set Screw. Make sure the Set Screw is tightly secured.

### > ASSEMBLE OF BLADE AND GRILLE

> Unscrew the plastic mounting nut from the front of the motor housing by rotating it anticlockwise.

> Position the rear grille against the front of the motor housing with the handle uppermost ensuring that the locating pegs on the motor housing are engaged correctly in the holes of the rear grille.

> Tighten the Rear Grille Mounting Nut clockwise. **DO NOT OVERTIGHTEN IT.**

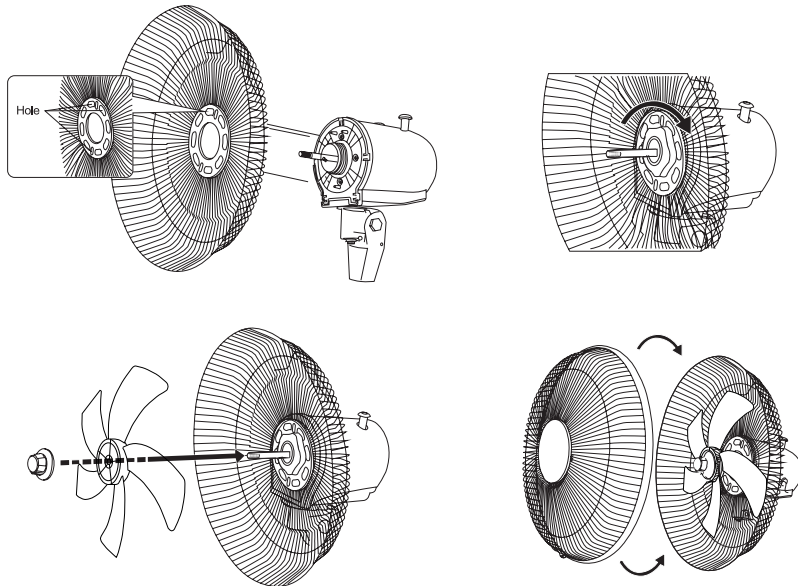
> Push the fan blade onto the motor shaft, locating the slot at the back of the blade on the drive pin that passes through the motor shaft.

> Tighten the blade cap by turning it anticlockwise.

> Position the front grille against the rear grille so that the holes in the rims that accept the small nut and bolt are in line. Insert the bolt through the holes and screw on the nut. Do not fully tighten at the stage.

> Push the grille retaining clips into position ensuring that they engage correctly on the rim of the grille.

> Fully tighten the small nut and bolt that passes through the rim of the grille.



## > OPERATION OF THE PRODUCT

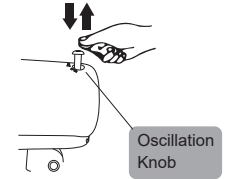
### > Control Panel, SPEED SETTING

Switch Buttons 0-1-2-3

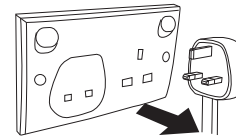
1. Speed setting by press button with "1" – "2" – "3".

2. To switch the fan off, press button with "0".

3. For oscillation, press the oscillation knob which located in the motor housing, the fan starts oscillating. To stop oscillation, pull up the oscillation knob.



4. Always unplug the appliance when it is not used.



### > CLEANING

> Switch off and unplug from the power supply before assembling or disassembling and cleaning.

> Keep the air vents at the rear of the main body free from dust or fluff– use a vacuum cleaner to remove these when necessary. Do not probe any opening to remove fluff.

> Fan component parts should be cleaned using mild soap and a damp cloth or sponge. Do not allow any water or other liquid to enter the motor housing.

> Thoroughly remove soap film with clean water.

> **CAUTION:** Do not use harsh detergents, chemical cleaners or solvents as they may damage the surface finish of the fan components.